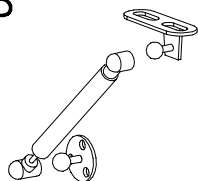
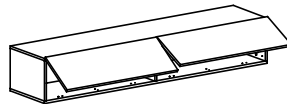


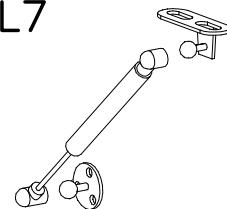
L8



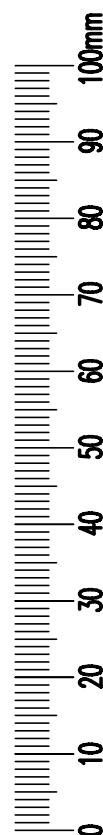
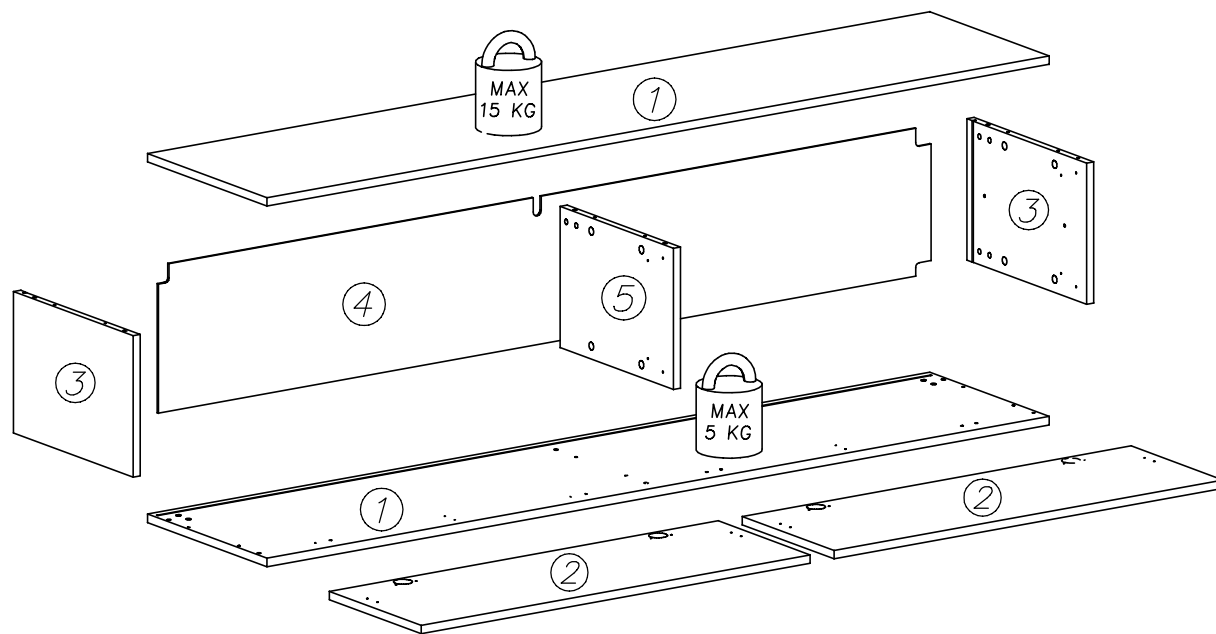
x...(4)



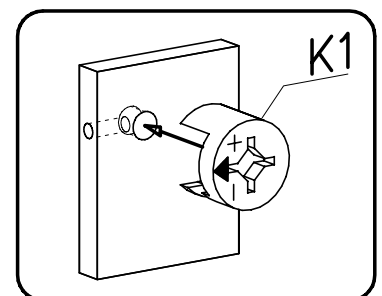
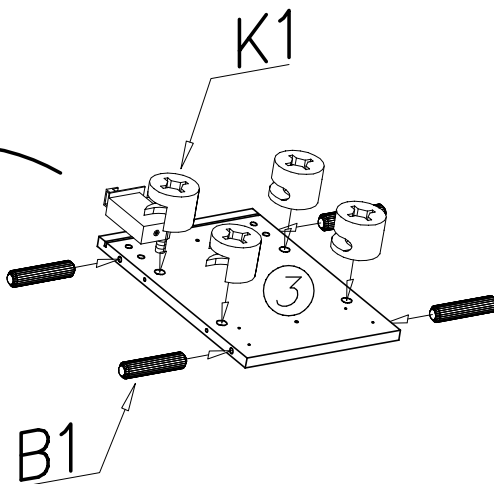
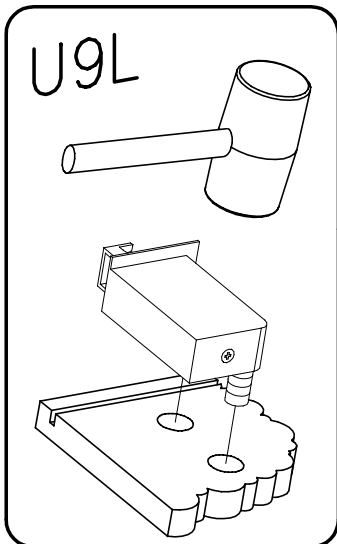
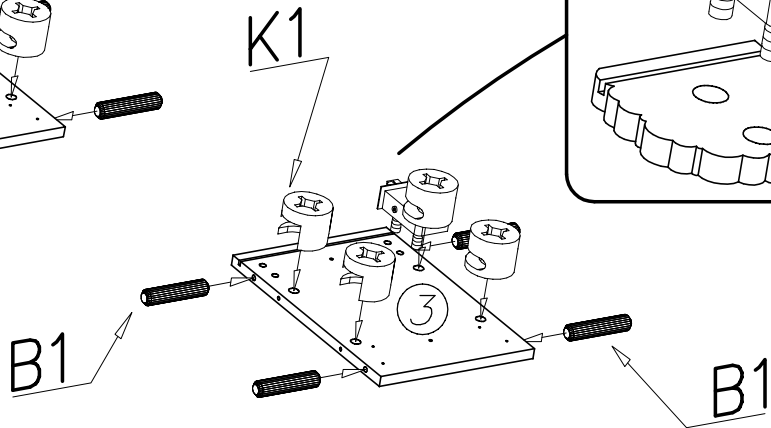
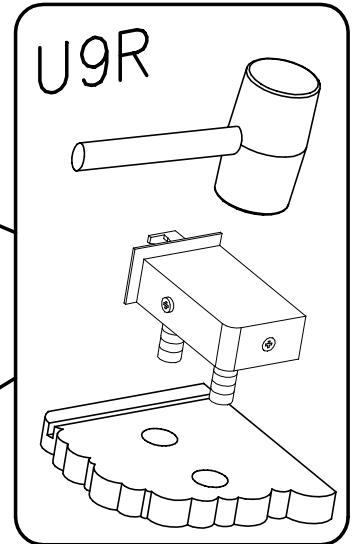
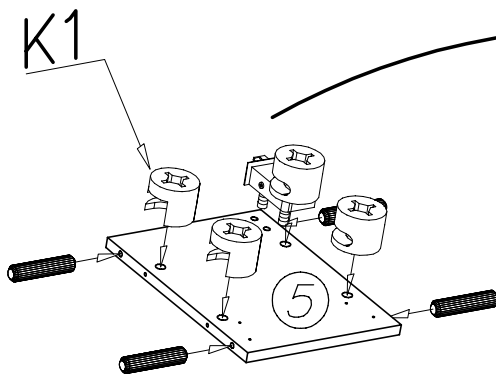
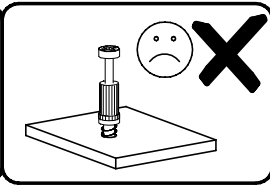
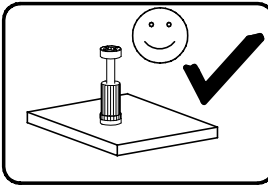
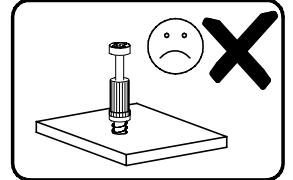
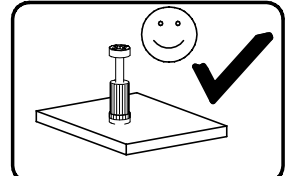
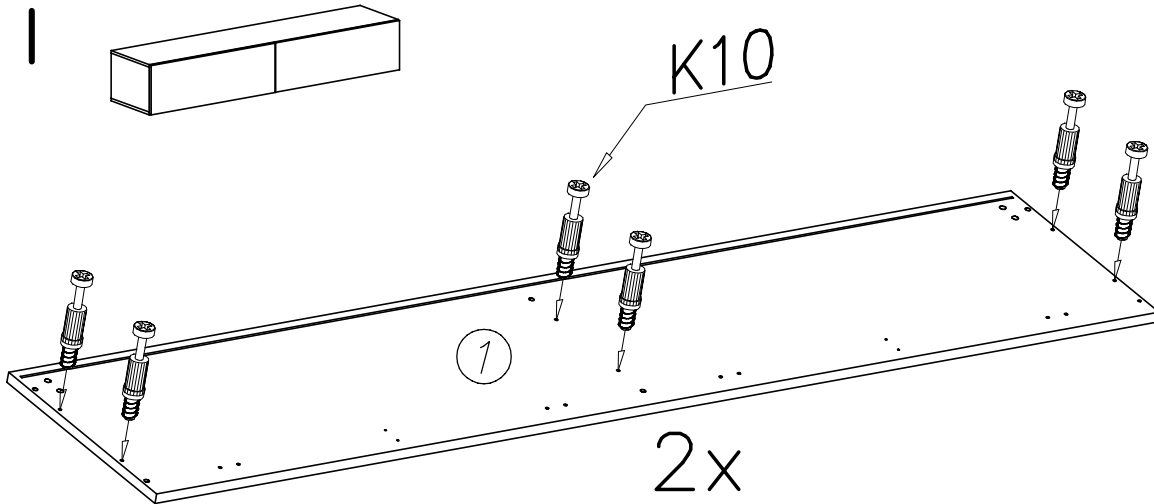
L7

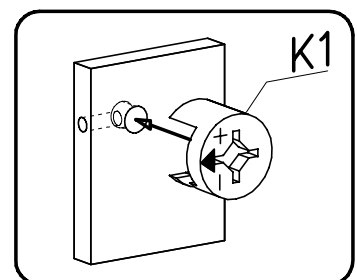
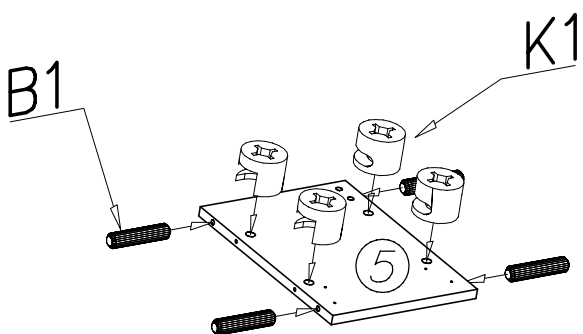
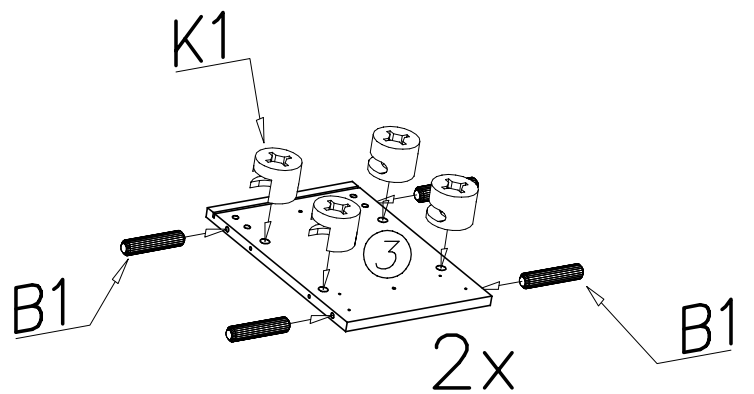
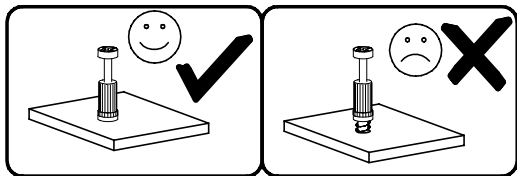
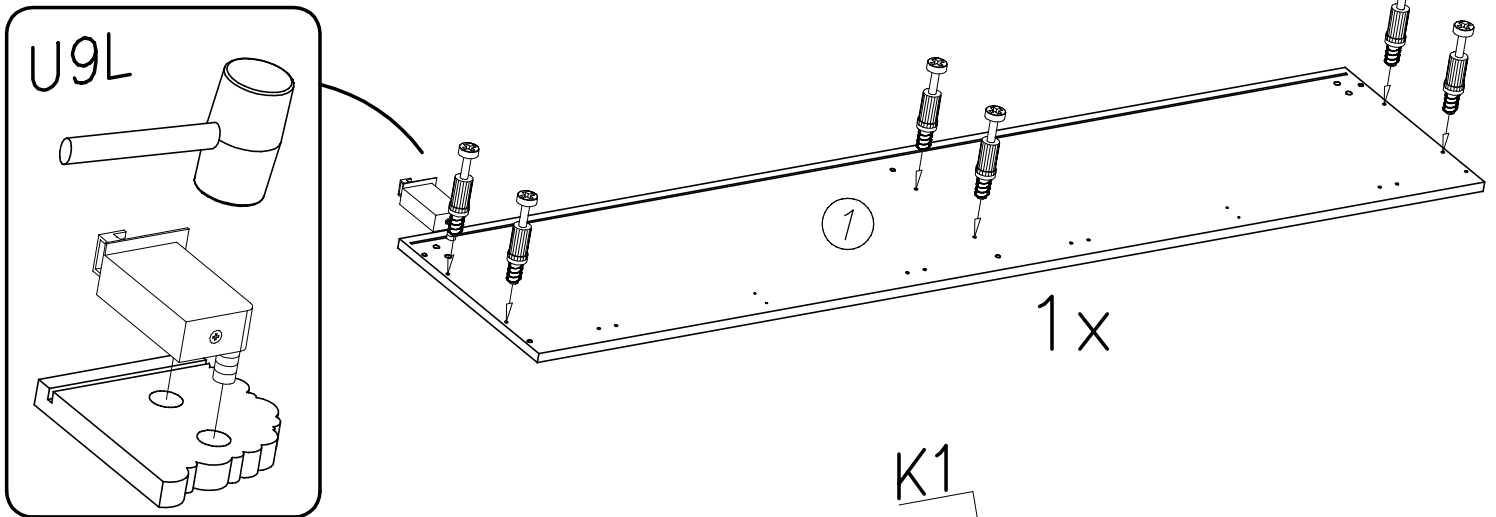
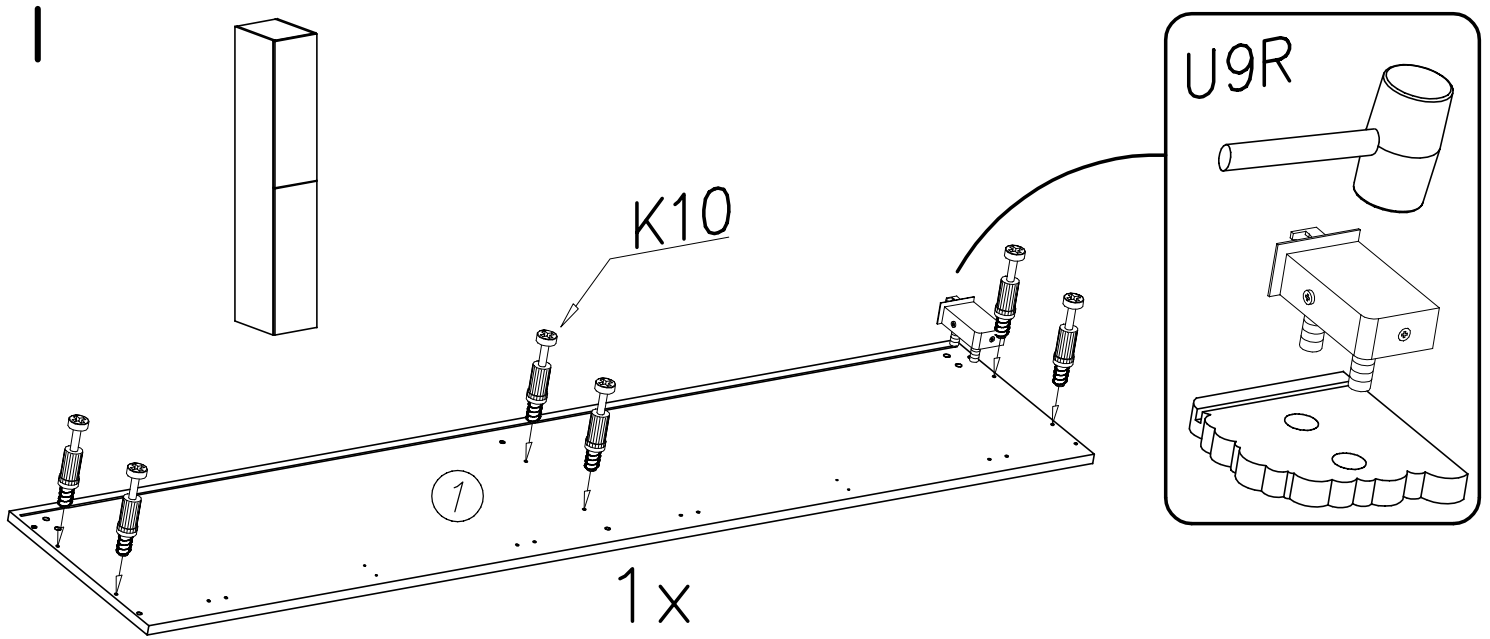


x...(4)

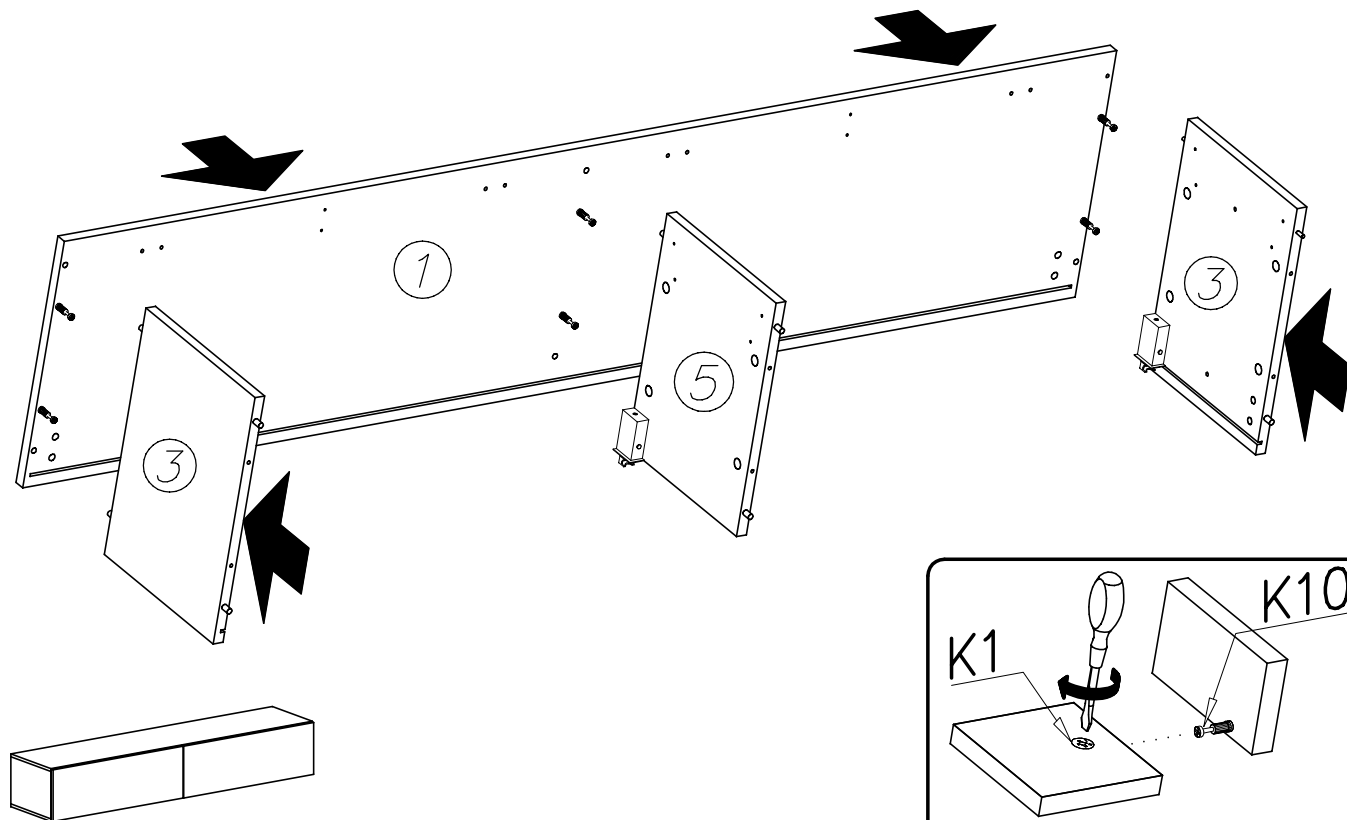


G32 3,5x16 x...(20)	N7 M4x15 x...(2)	I4 ø5 x...(12)	I10 ø10 x...(12)	L13 x...(2)
U9L x...(1)	U9R x...(2)	U10L x...(1)	U10R x...(2)	U7 x...(3)
K1 ø15x12 x...(12)	I7 x...(12)	I1 x...(10)	G57 3,5x16 x...(4)	U8 ø10x60 x...(3)
K10 x...(12)	B1 ø8x35 x...(12)	C3 Z35PR x...(4)	D3 PZ35PR x...(4)	G34 3,5x16 x...(10)

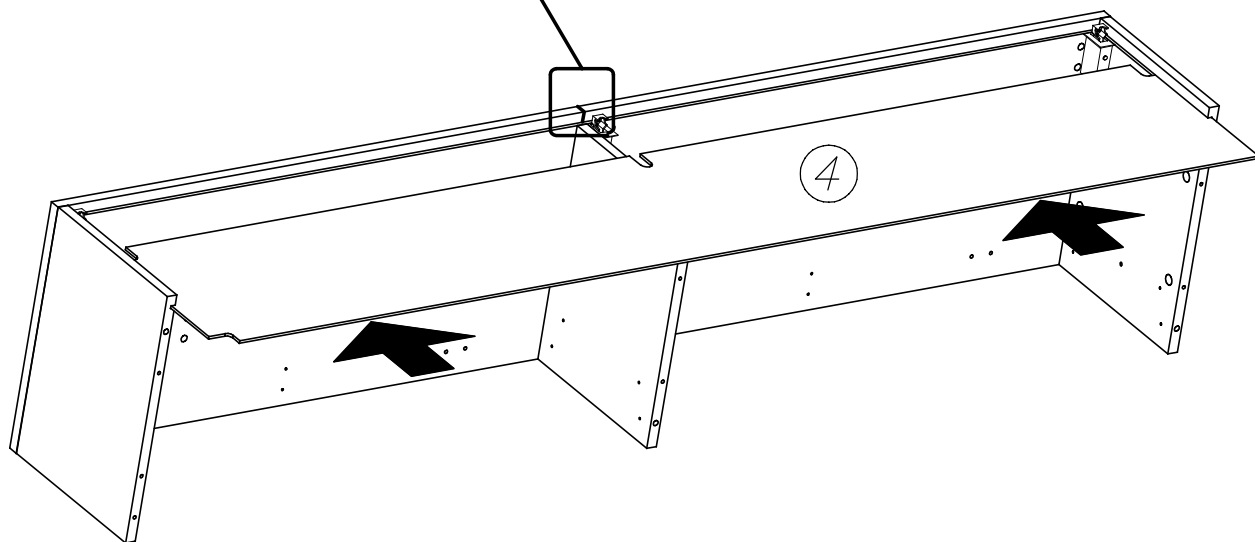
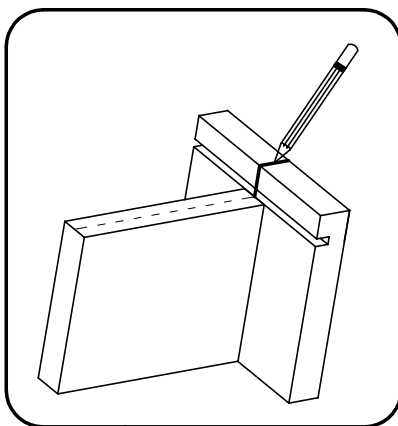
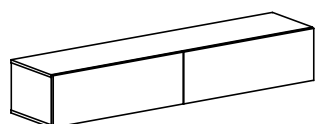




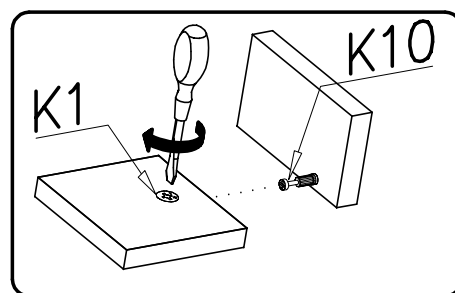
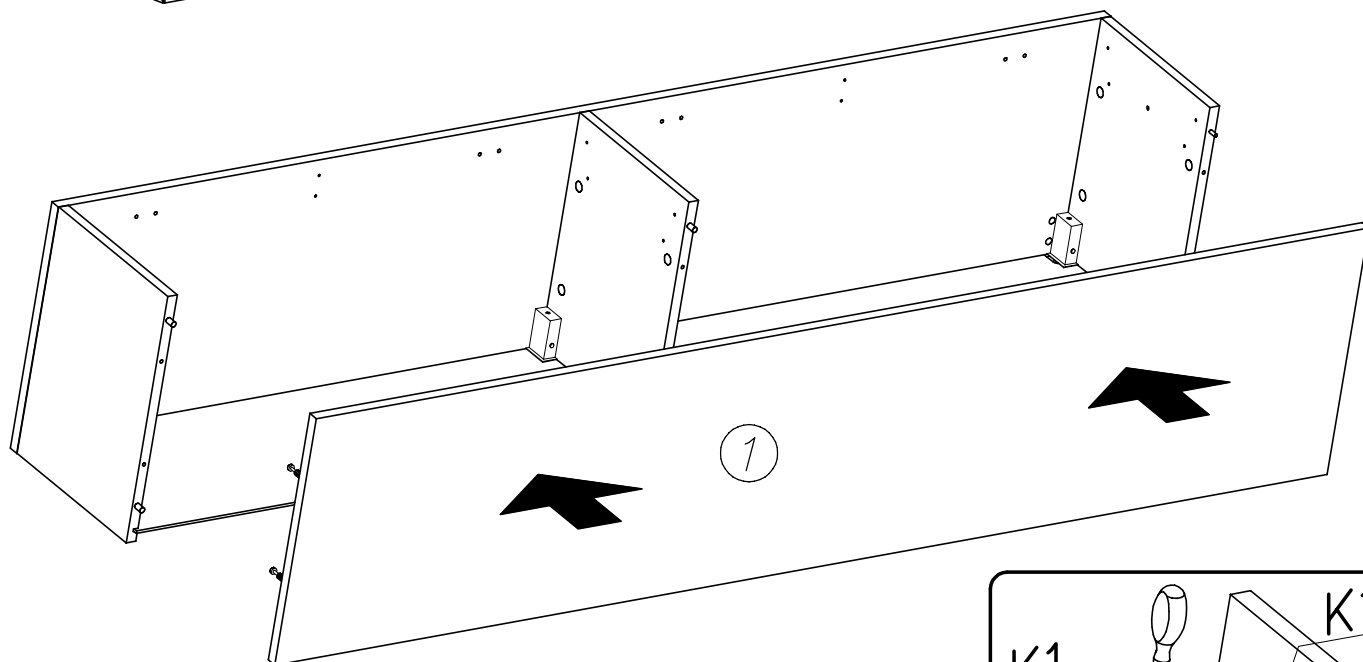
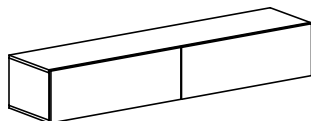
II



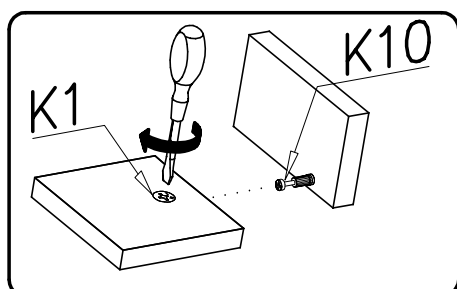
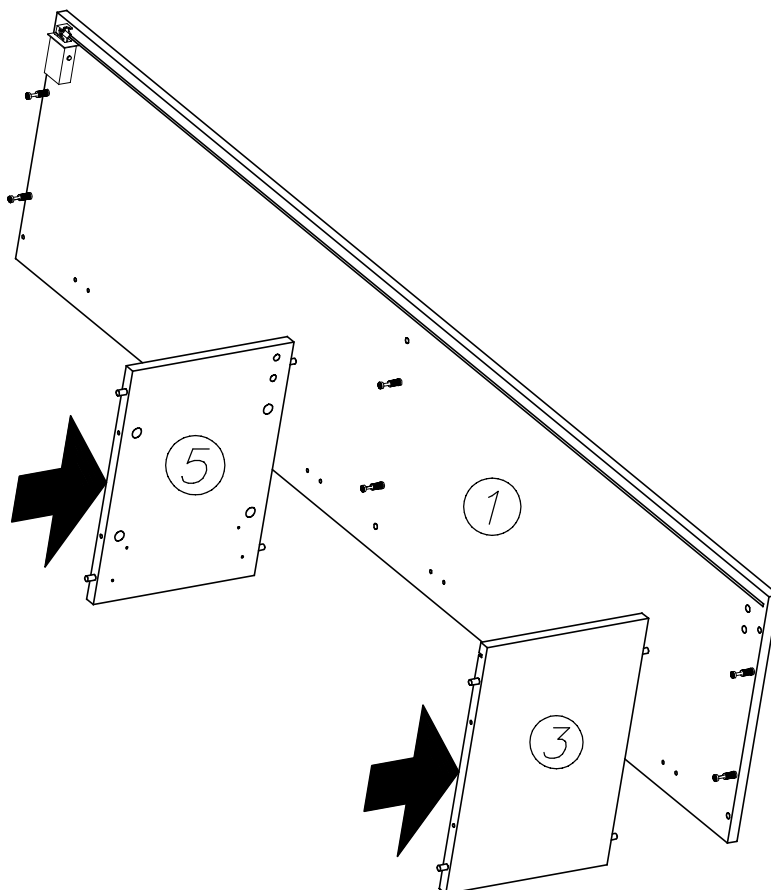
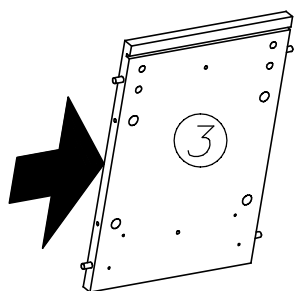
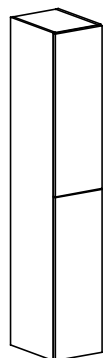
III



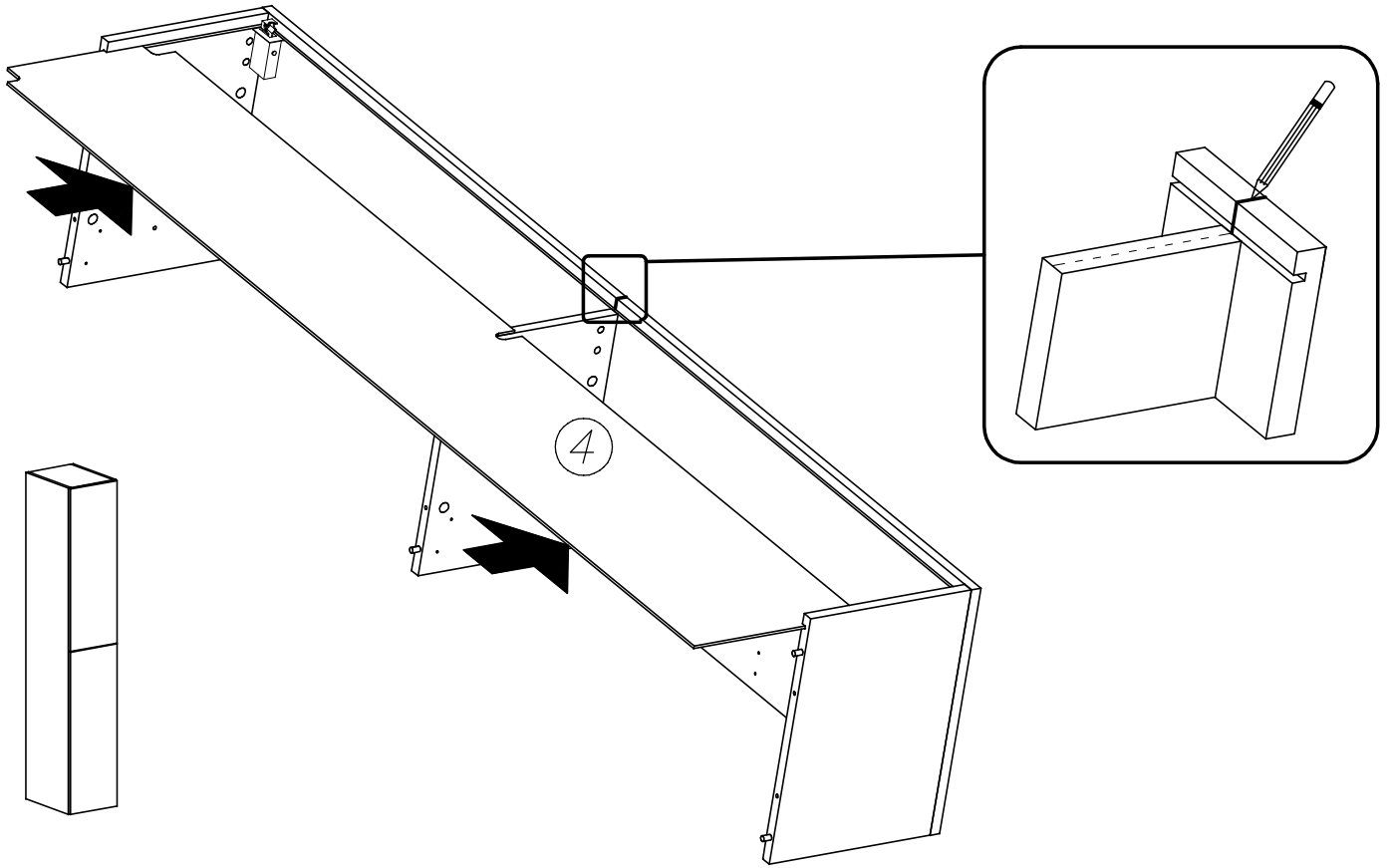
IV



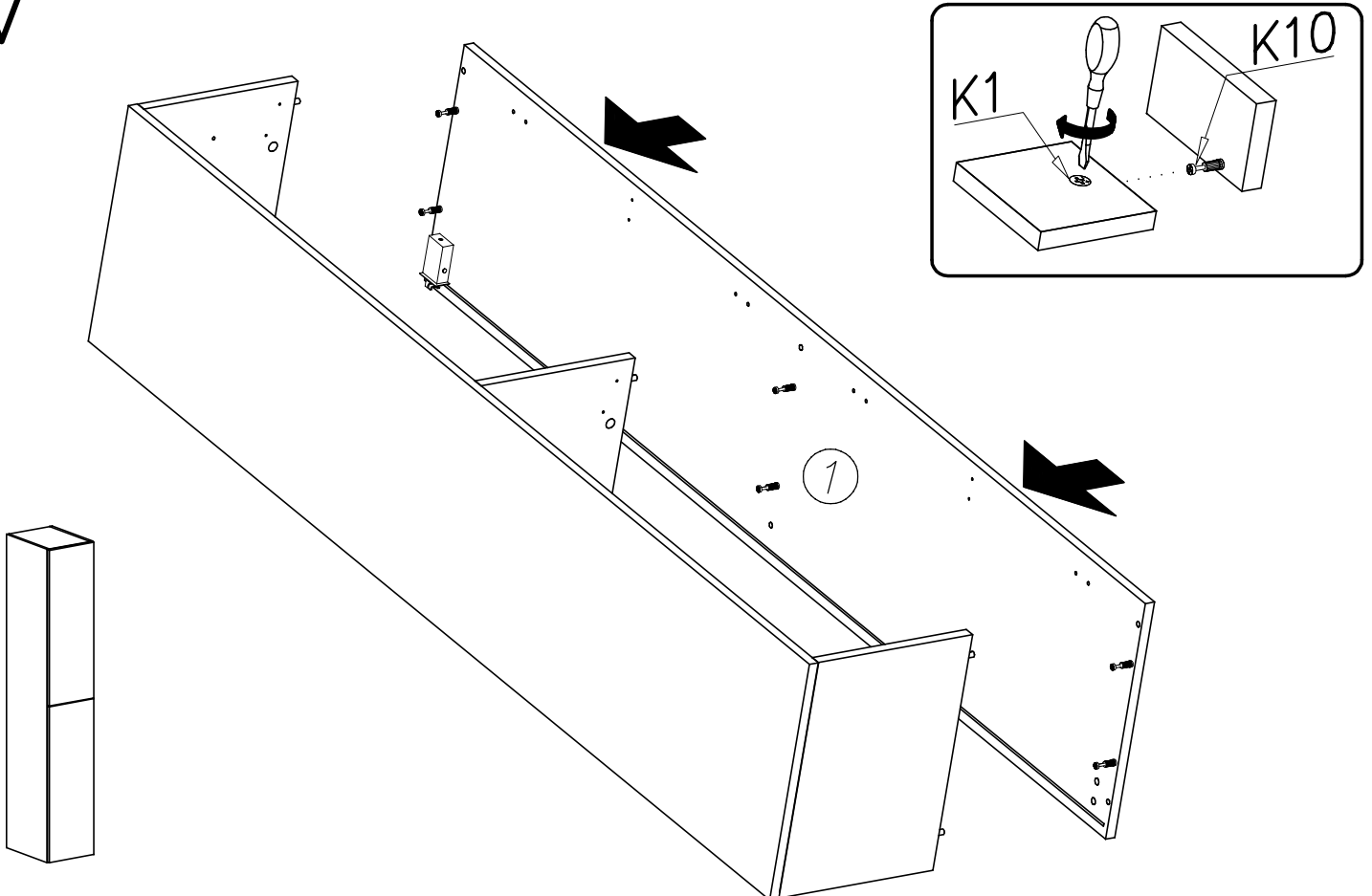
II

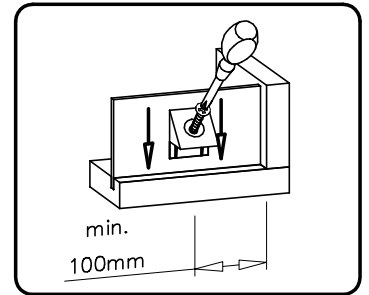
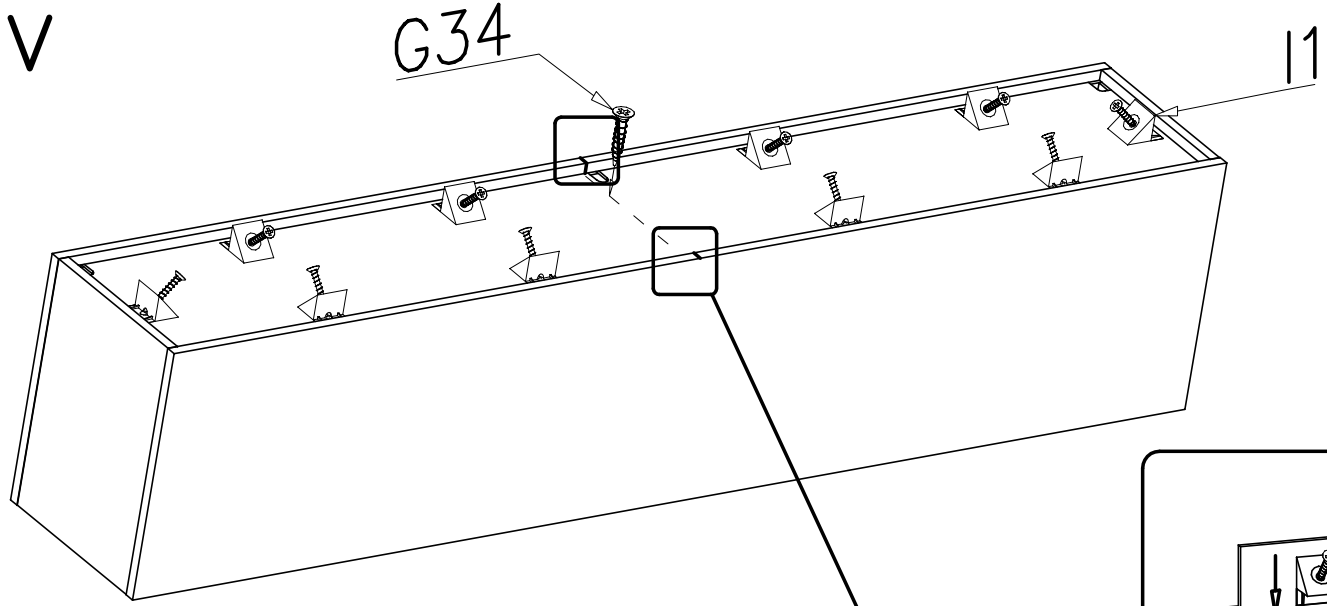


III

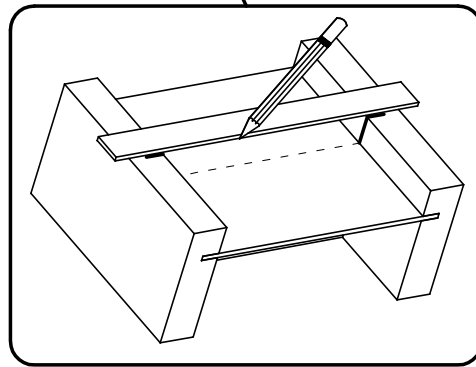
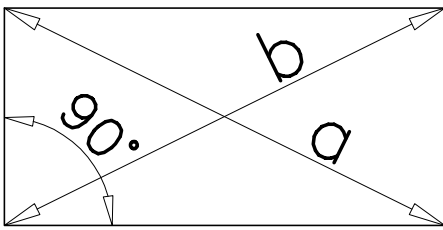


IV

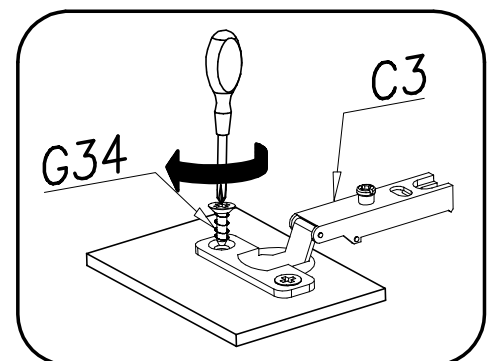
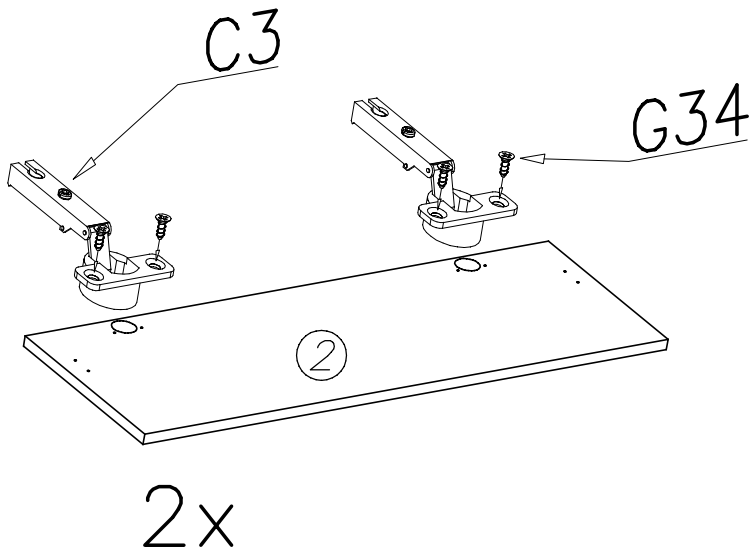




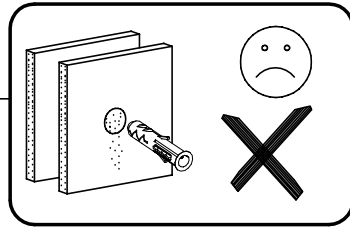
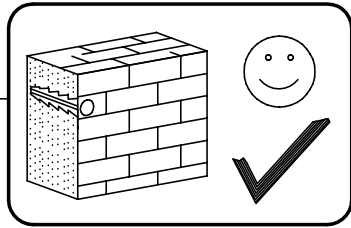
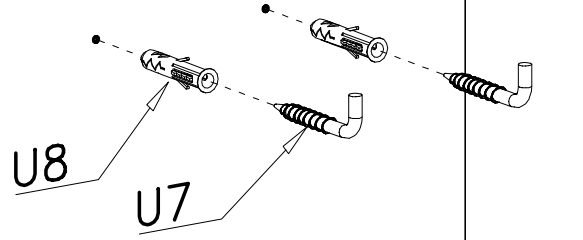
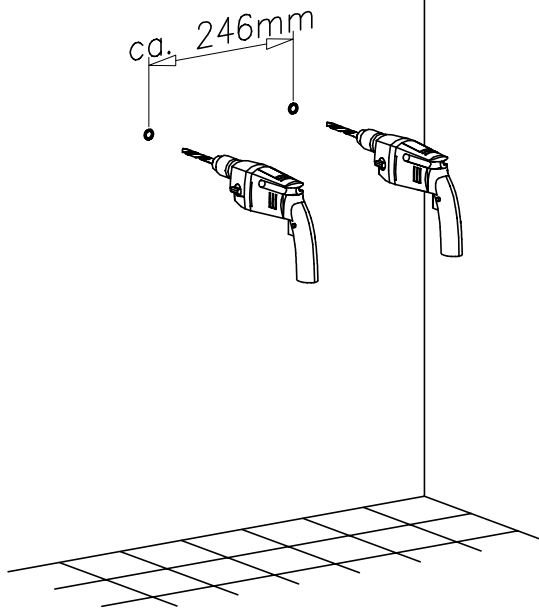
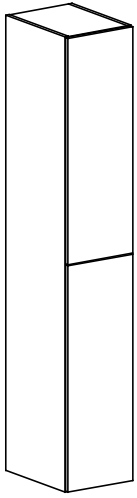
$a=b$



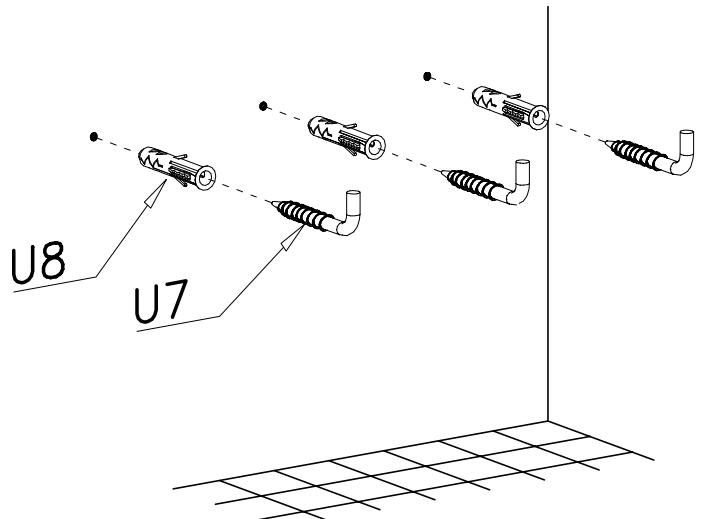
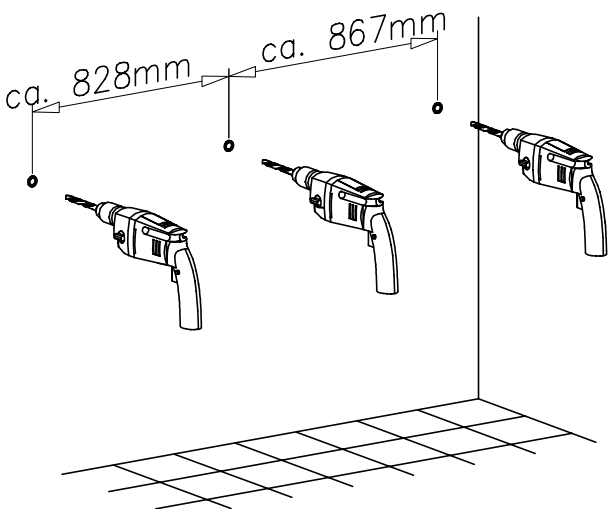
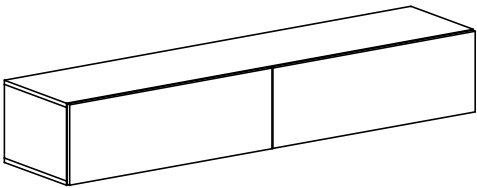
VI



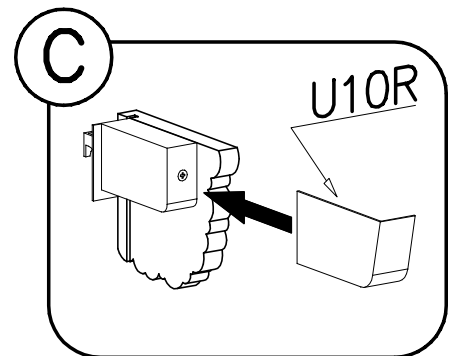
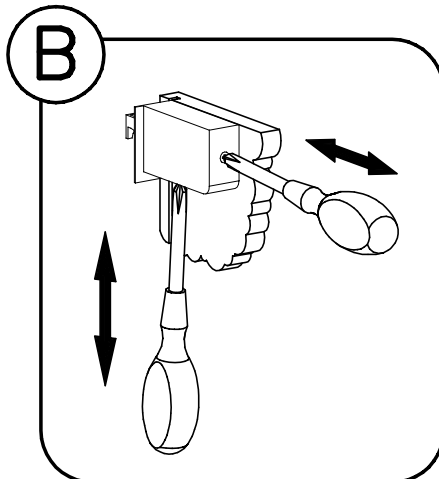
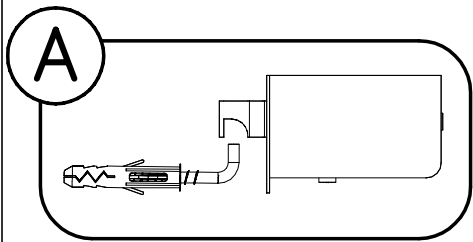
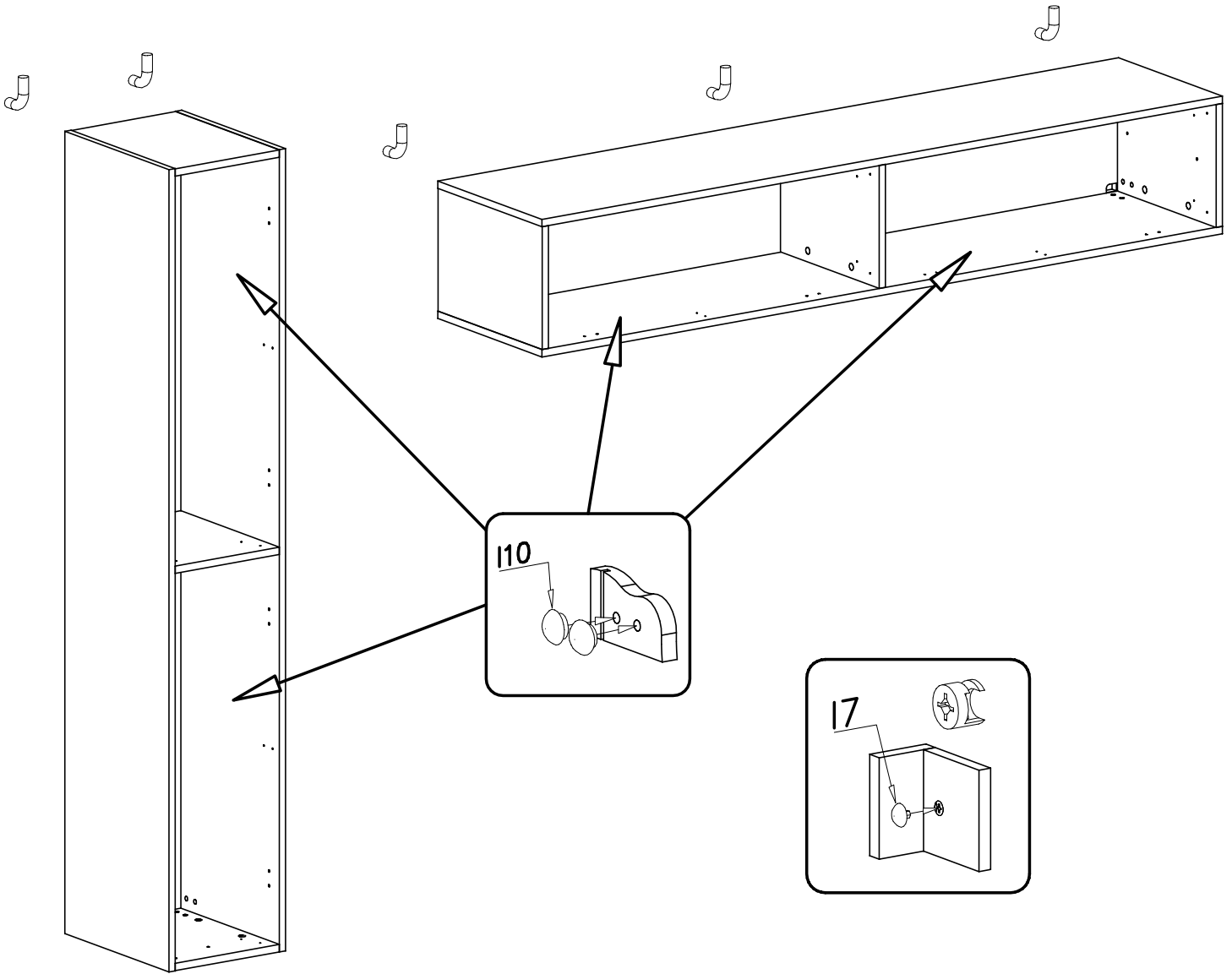
VII



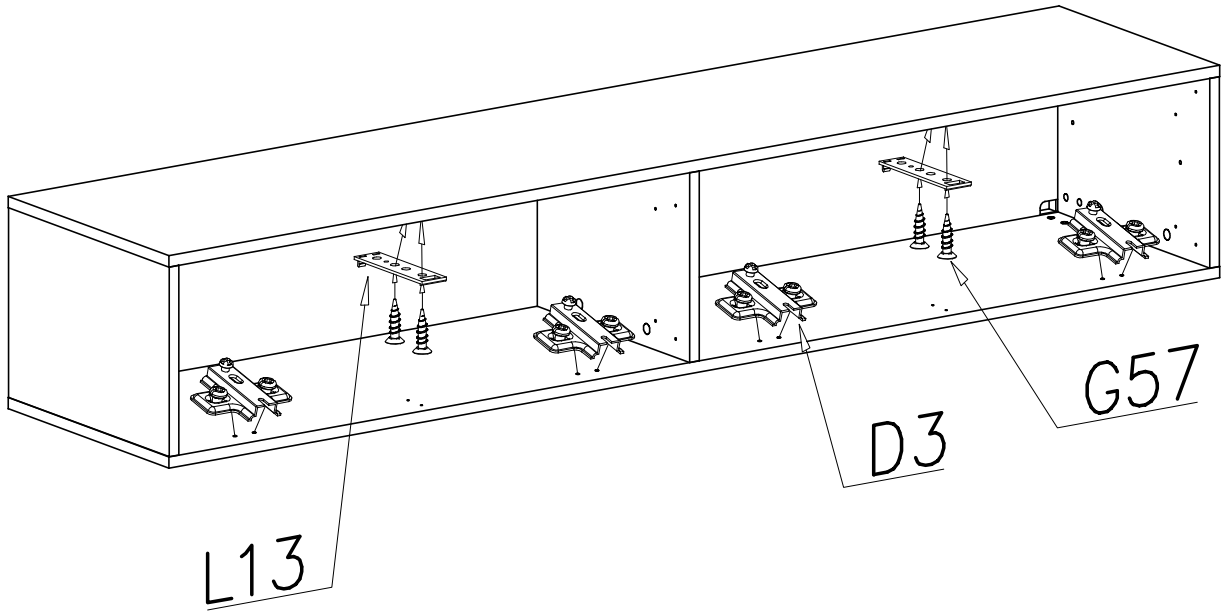
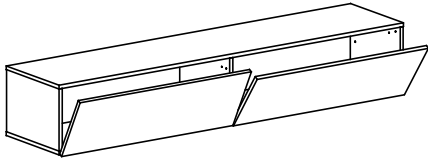
VII



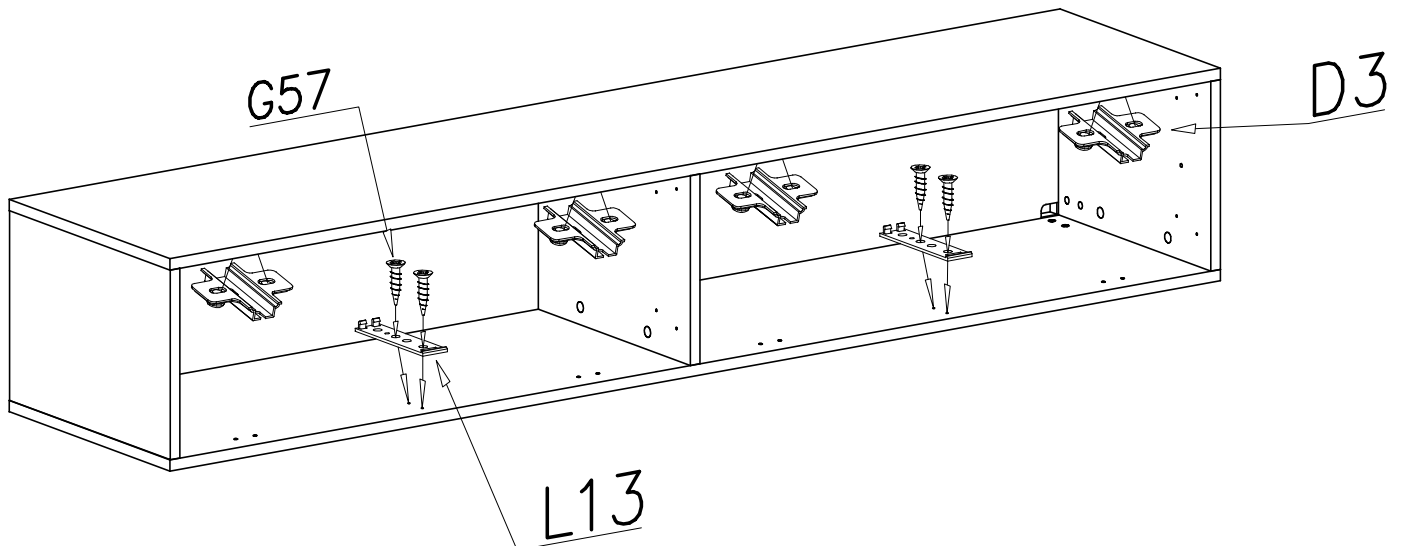
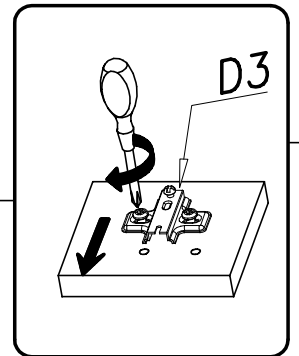
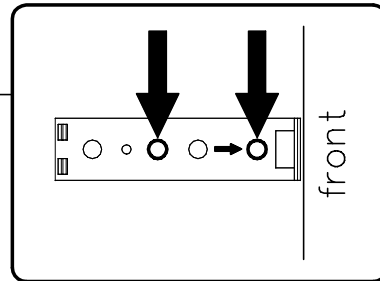
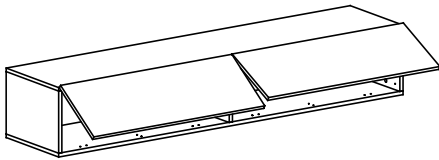
VIII



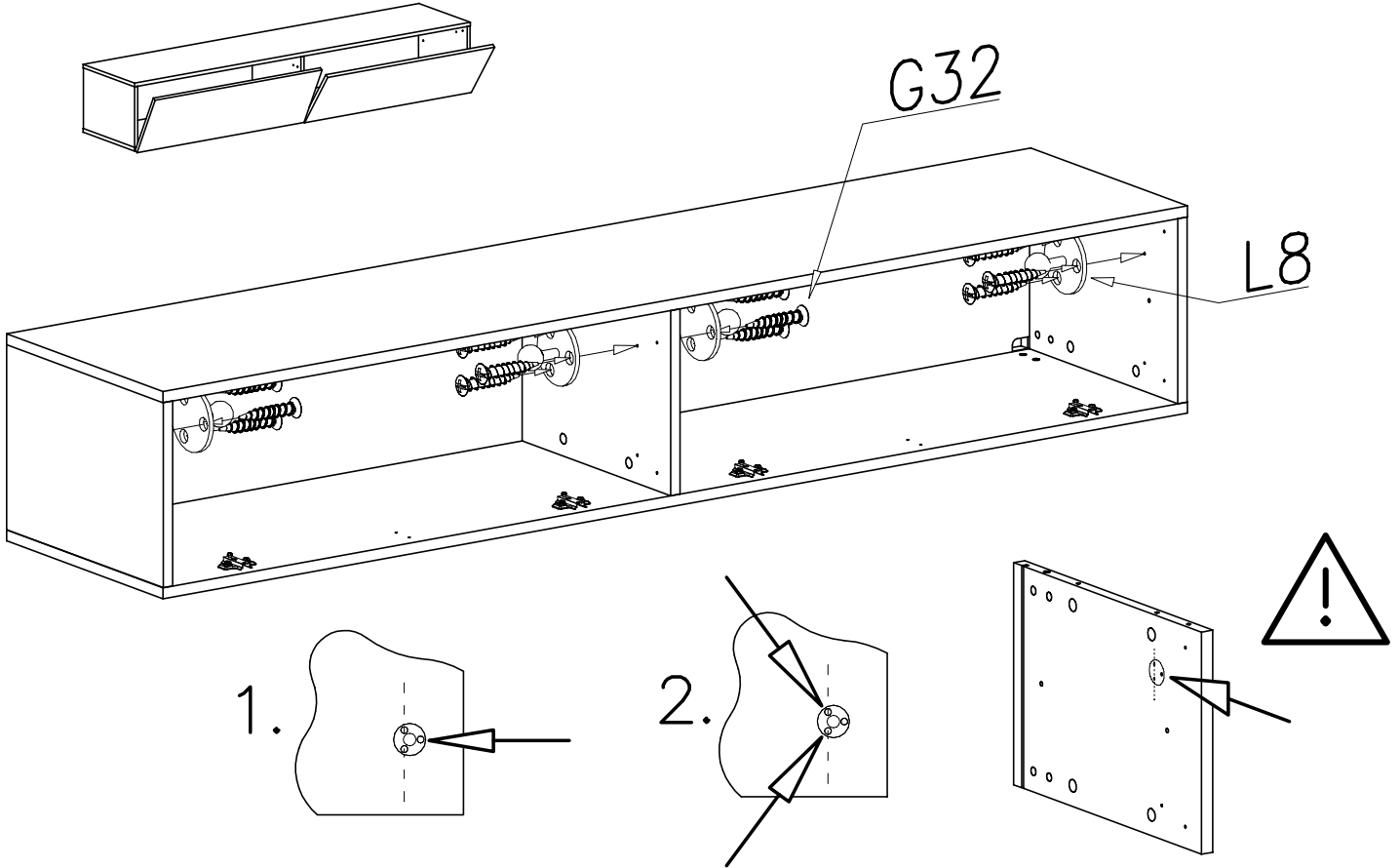
IX



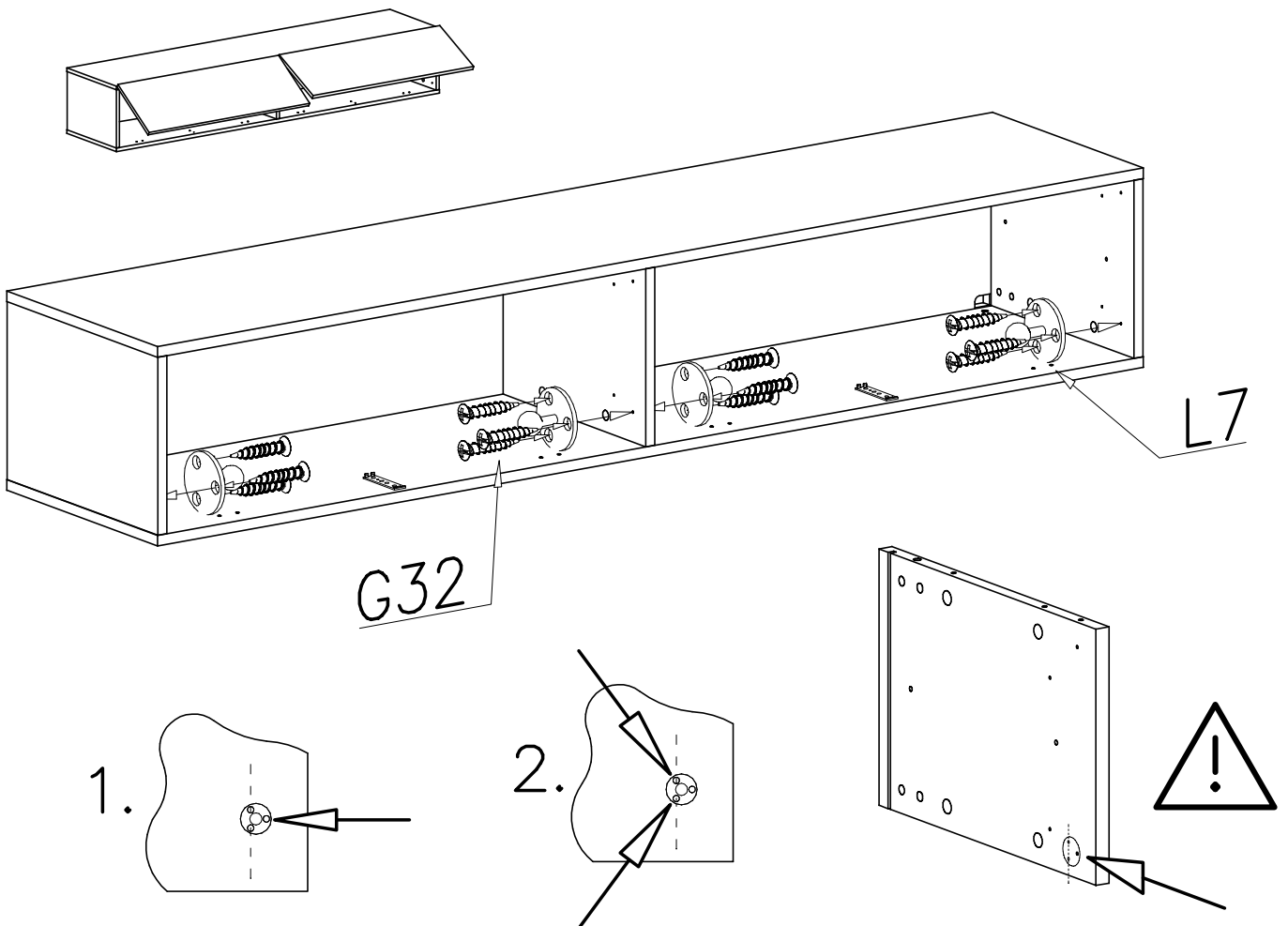
IX



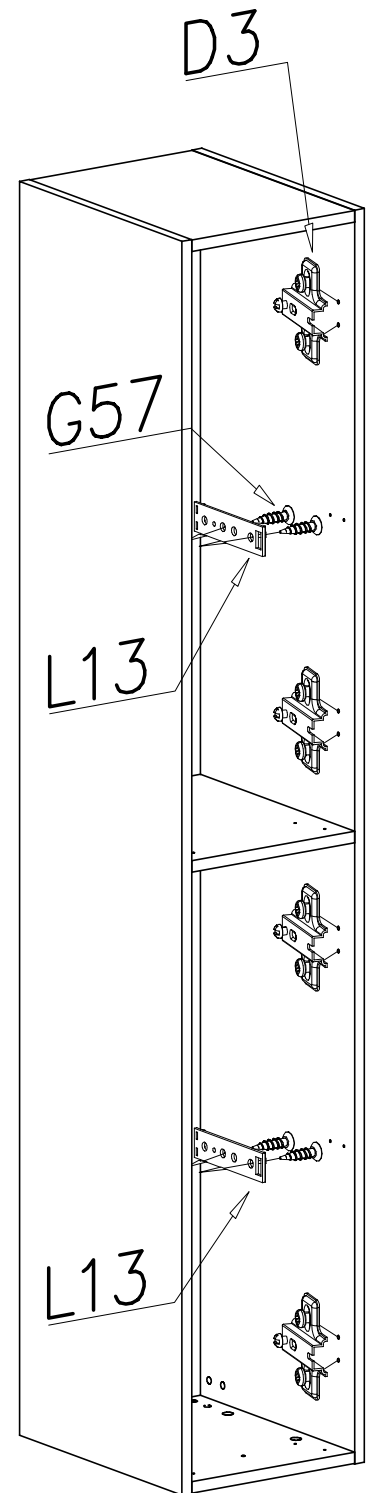
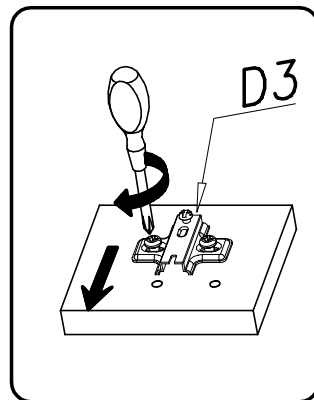
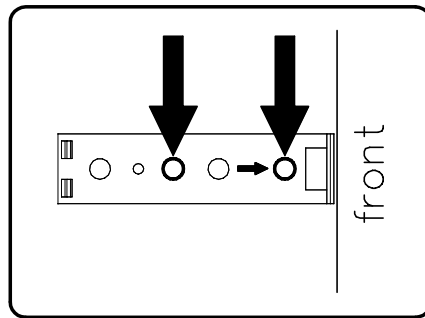
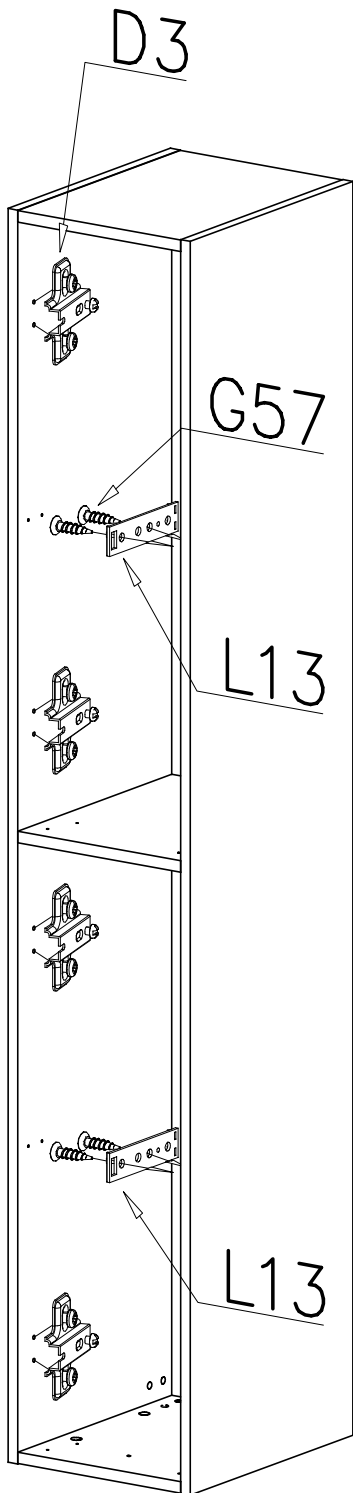
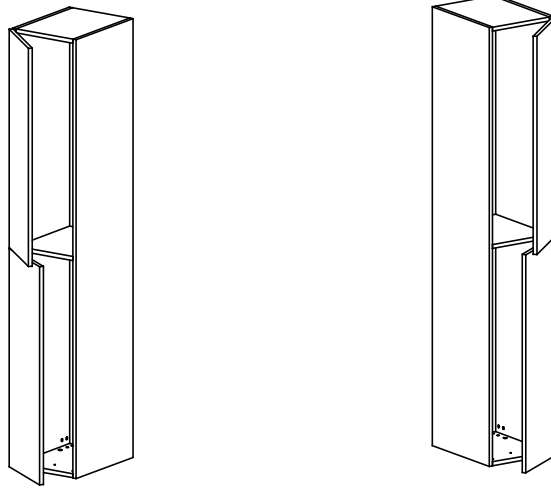
X



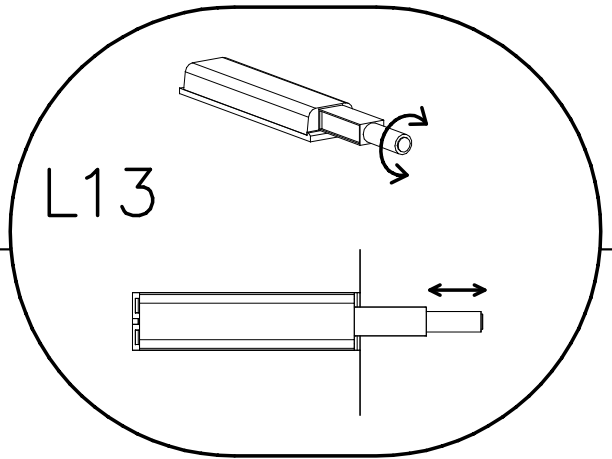
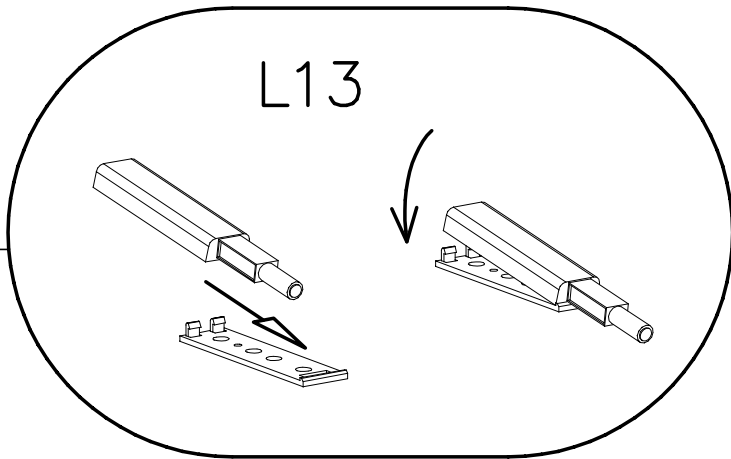
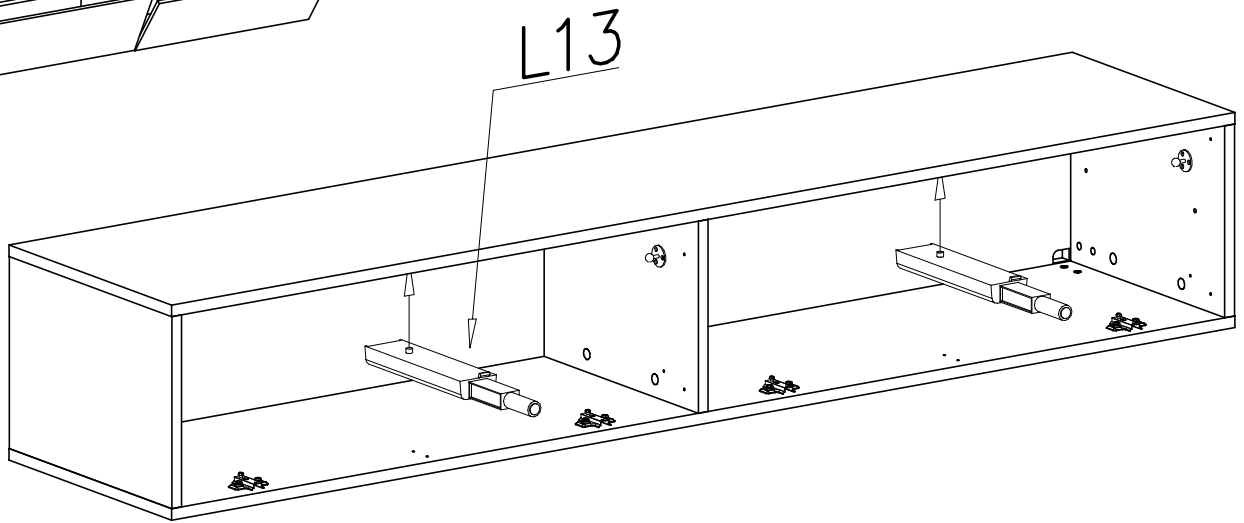
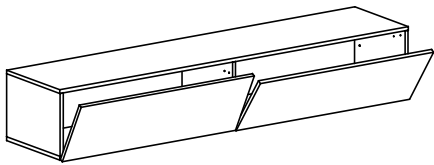
X



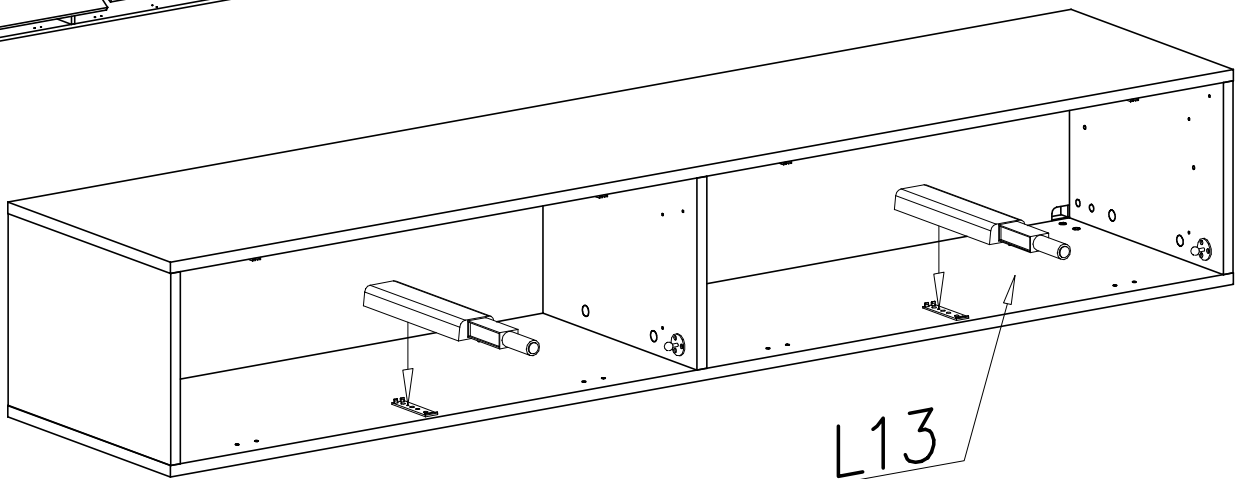
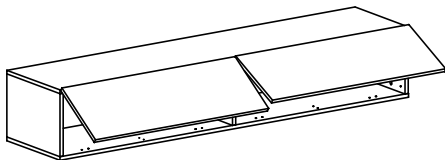
XI-X



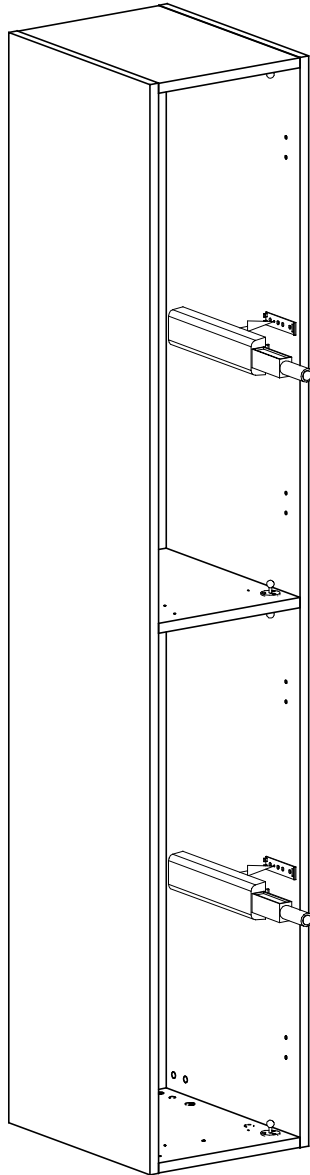
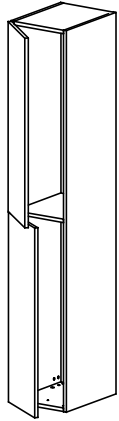
XI



XI

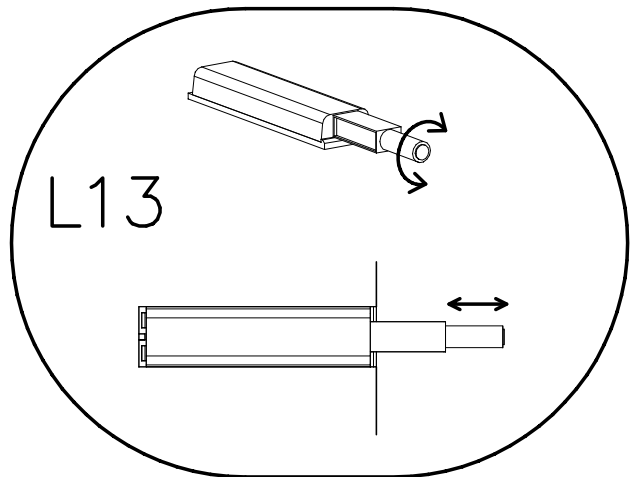
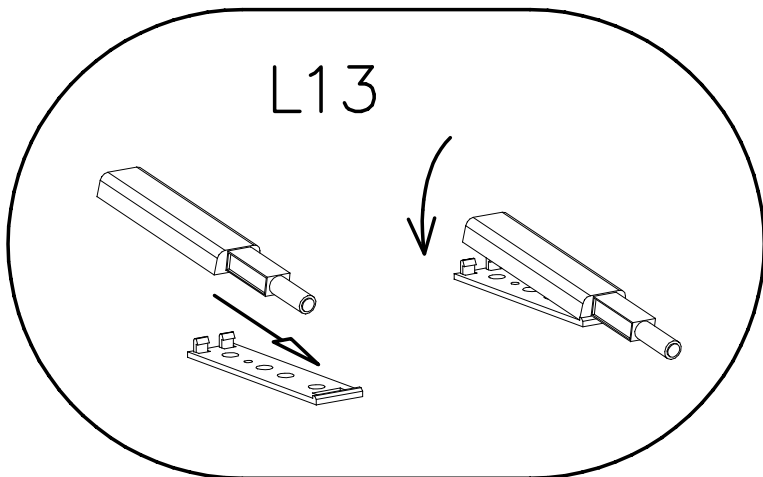
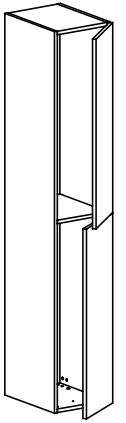


XI

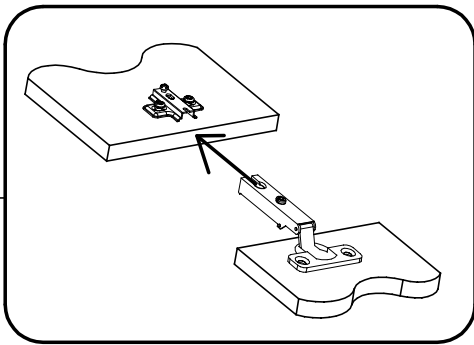
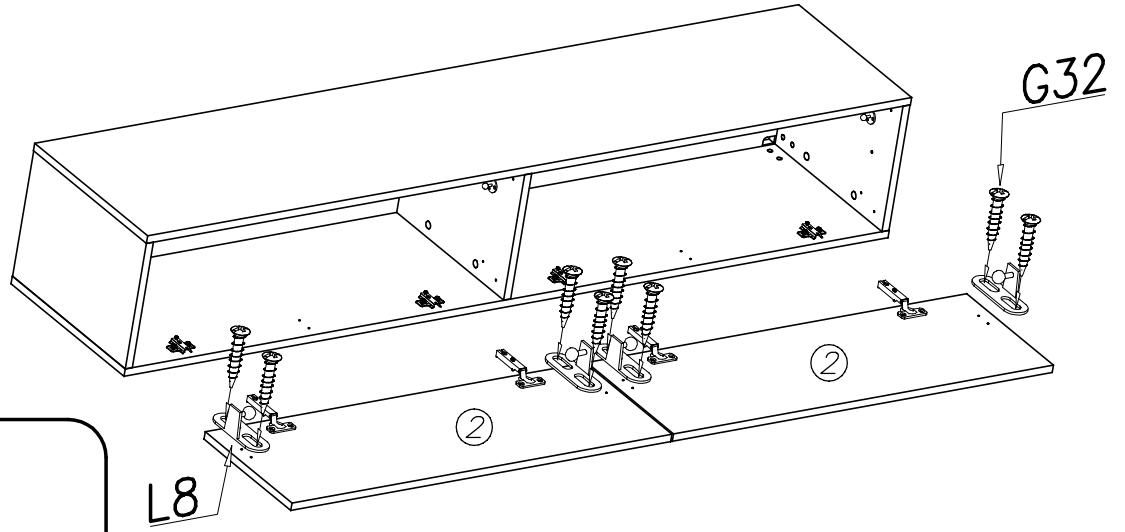
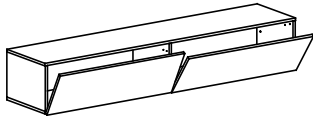


L13

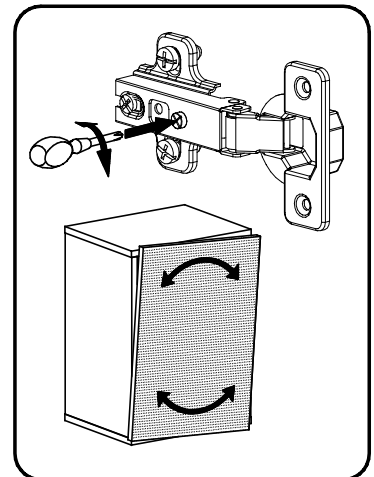
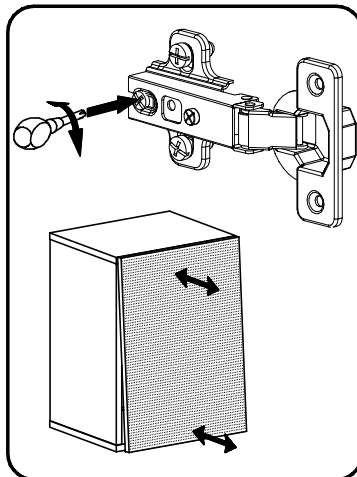
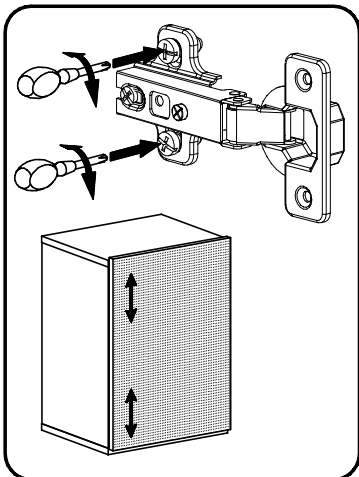
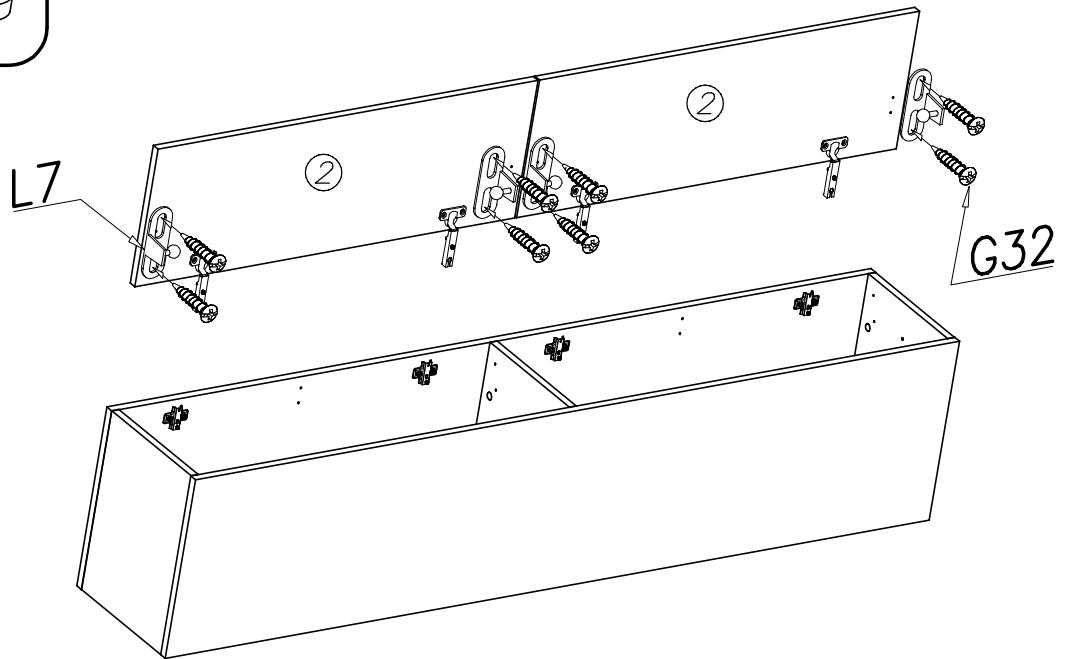
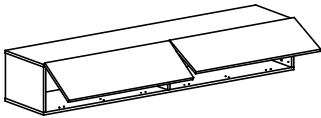
L13



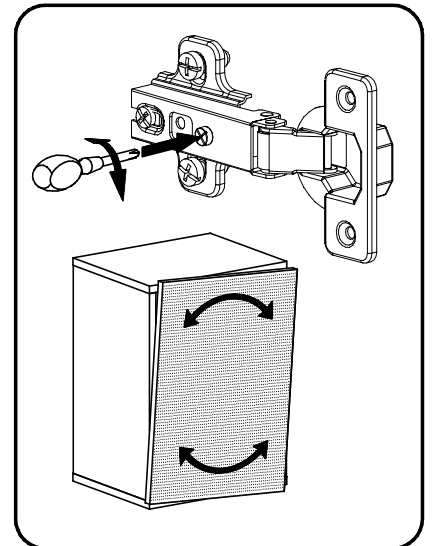
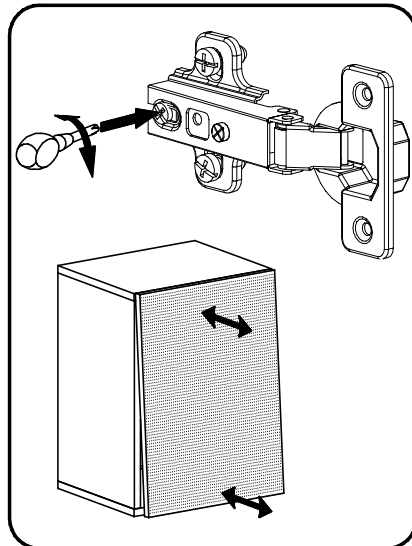
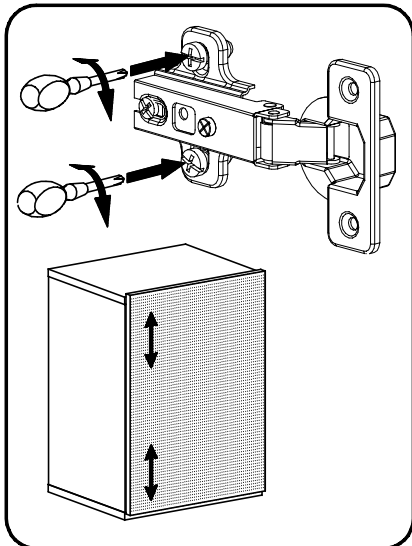
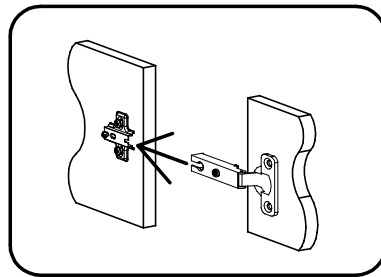
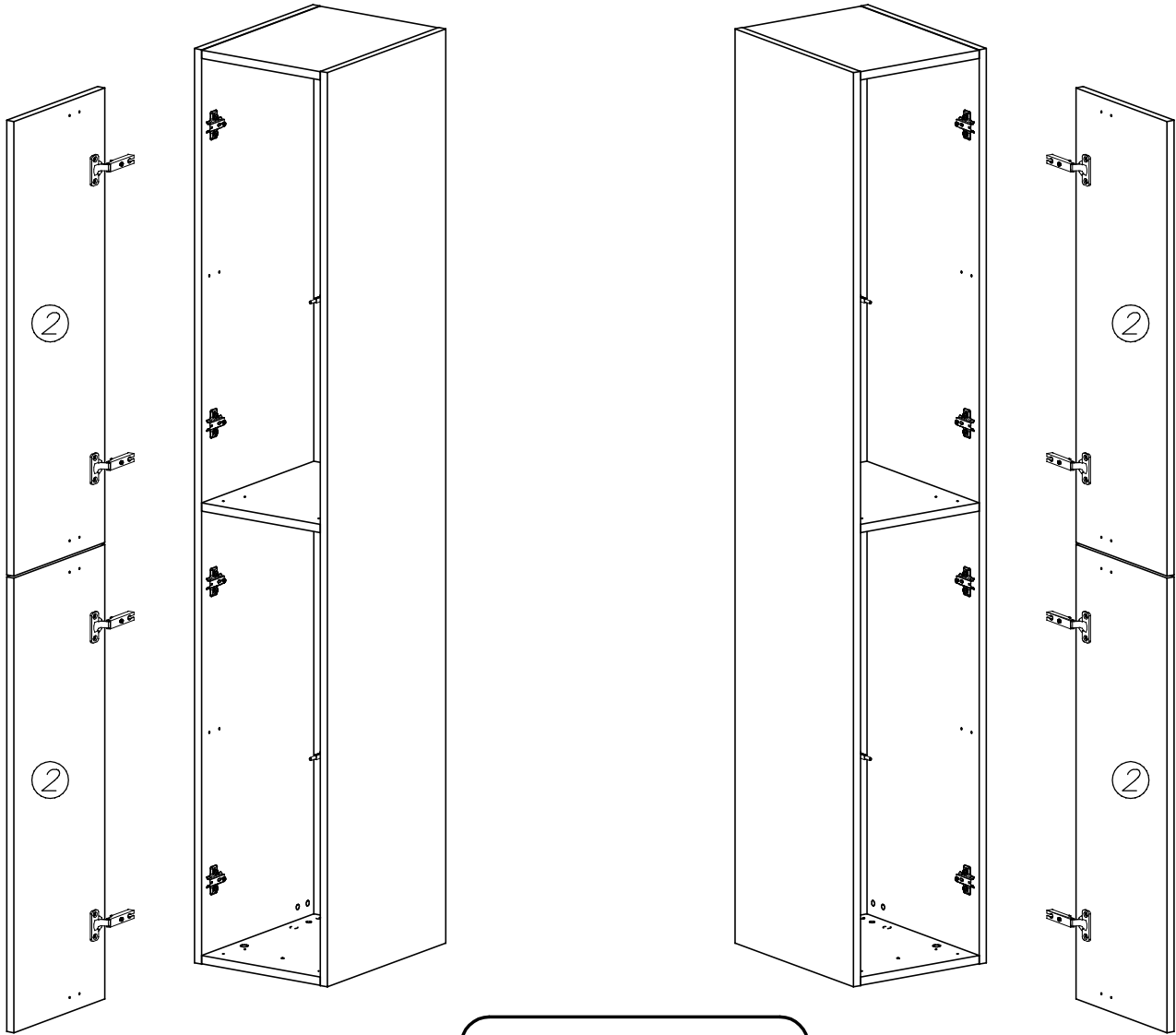
XII



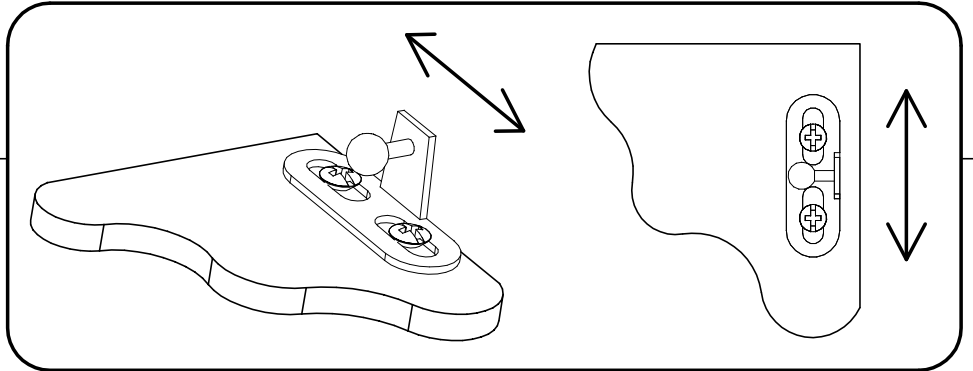
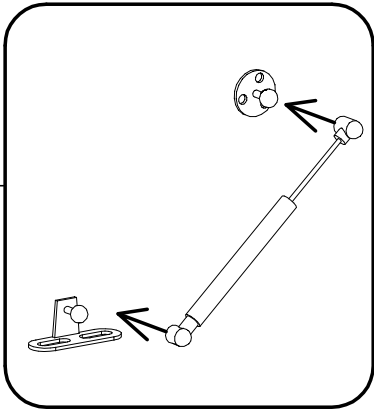
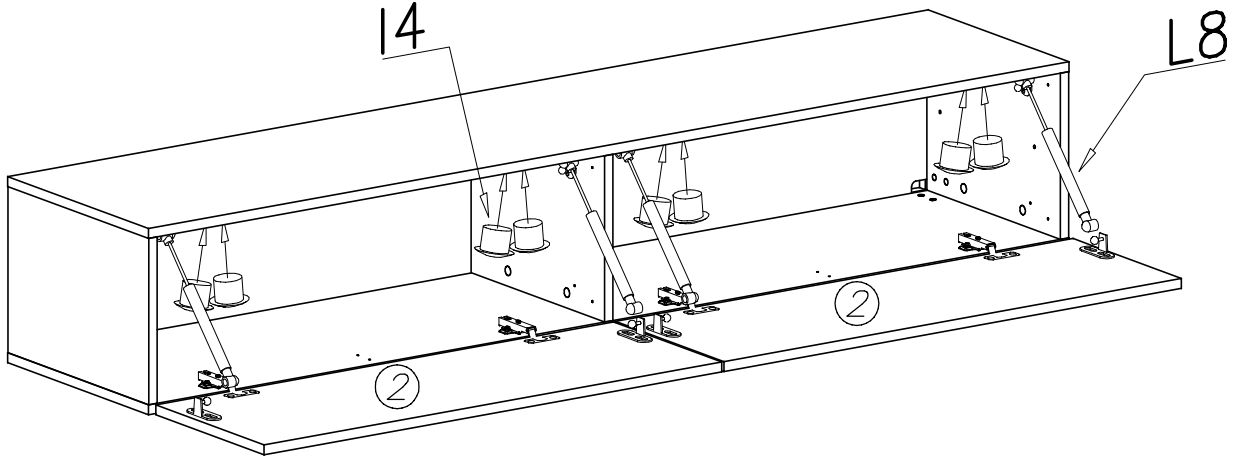
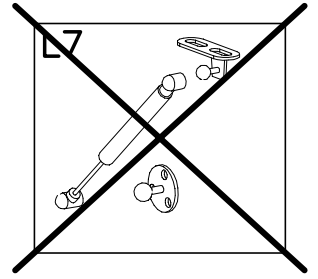
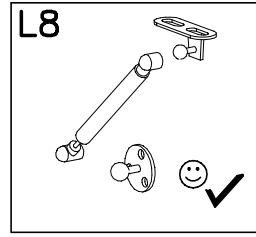
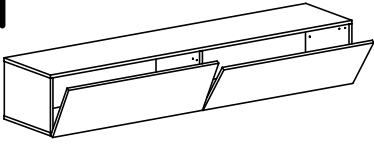
XII



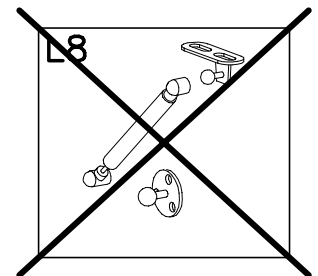
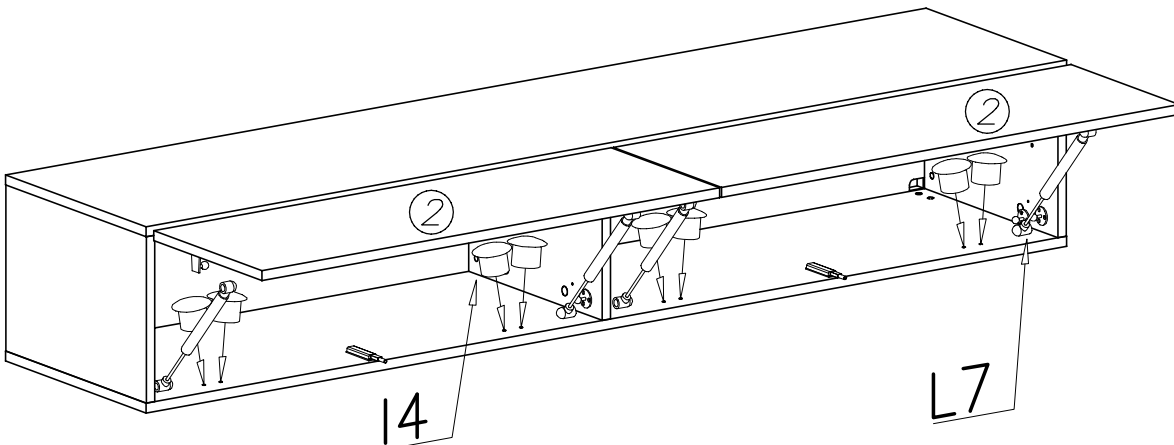
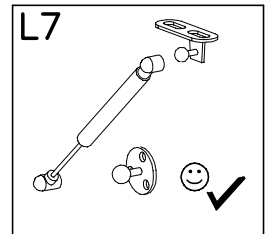
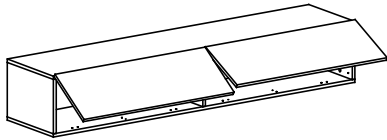
XII



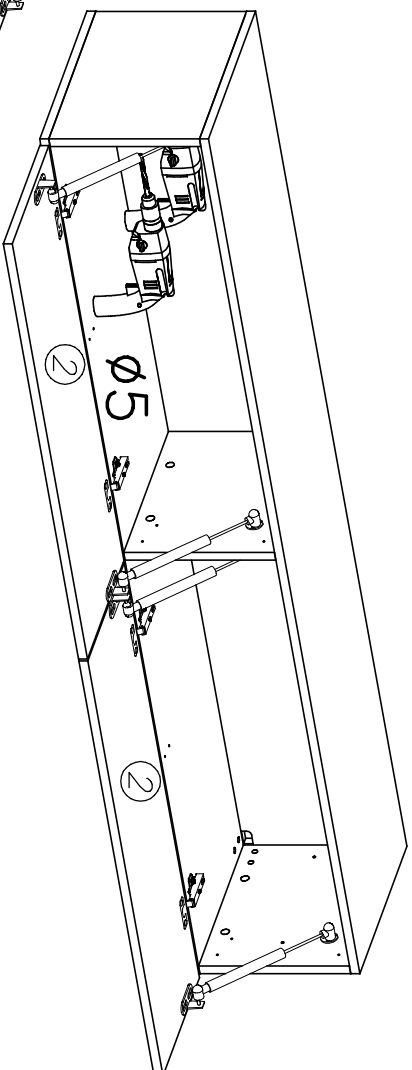
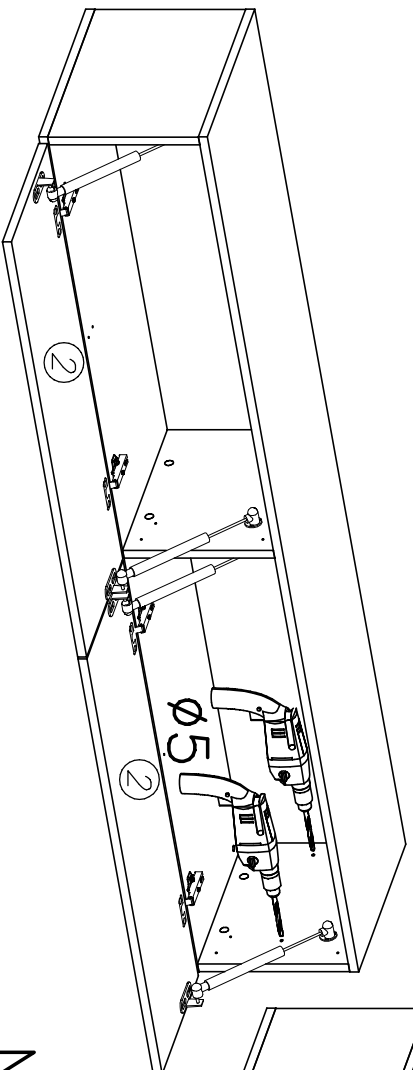
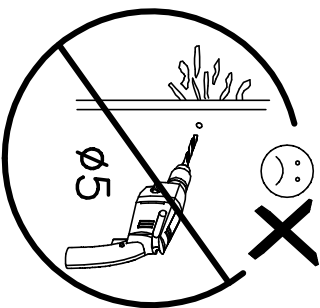
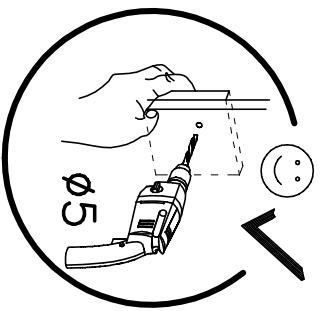
XIII



XIII



XIV



N7

